

Support rollers

Ball-bearing rollers
for long service life



Trademarks are legally protected for TSUBAKI KABELSCHLEPP GmbH as a national or international registration in the following countries:
tsubaki-kabelschlepp.com/trademarks

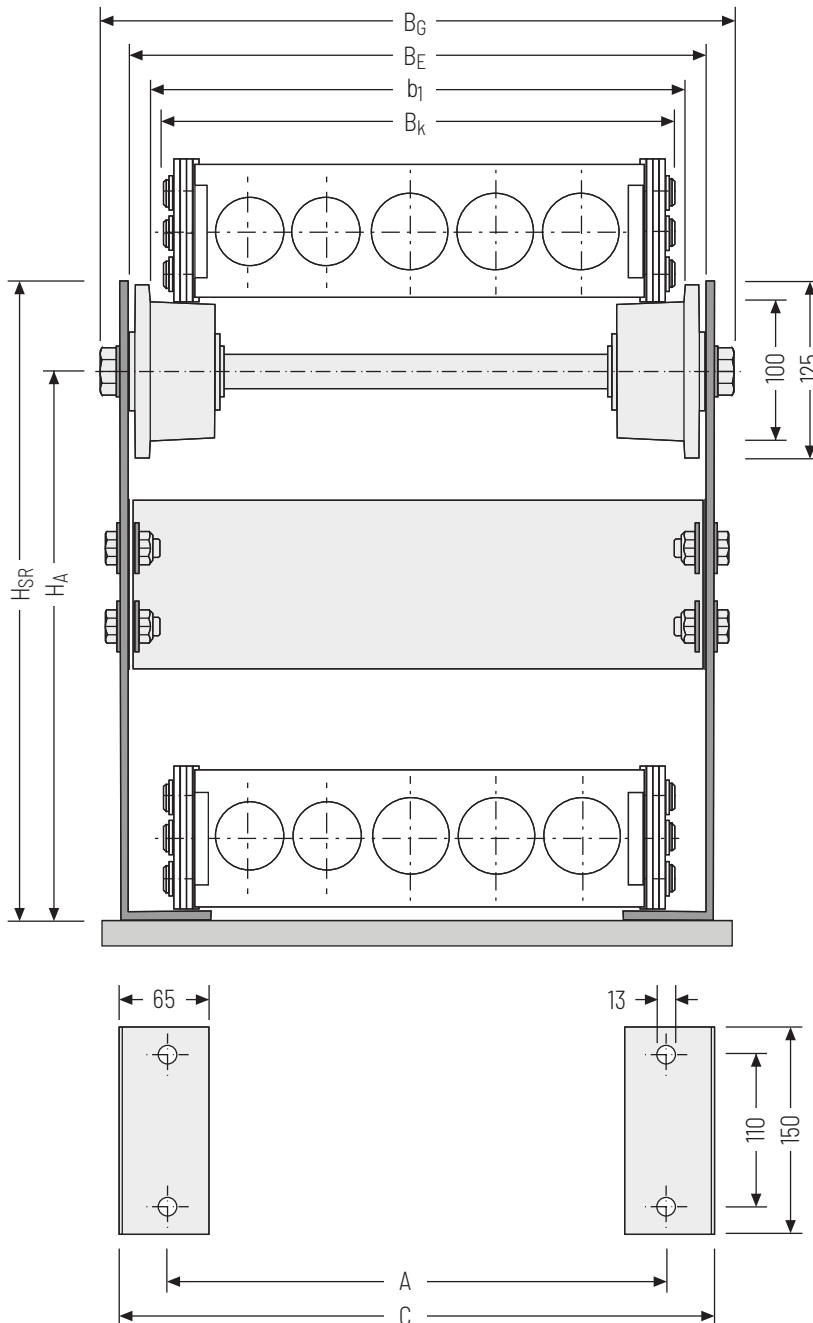
Subject to change without notice.

Support rollers "Basic"

Support rollers are designed to support the upper run of the cable carrier when the maximum unsupported length is exceeded.

KABELSCHLEPP® support rollers are available for the types LS/LSX 1050, S/SX 0650, S/SX 0950, S/SX 1250 and S/SX 1800.

- » Cost-effective support rollers in lightweight design
- » Long service life thanks to ball bearing rollers
- » Optimized installation width
- » Only to be used for two-band carriers



Dimension table for standard support rollers

B_E [mm]	B_G [mm]	b_1 [mm]	H_{SR} [mm]	H_A [mm]	A [mm]	C [mm]
$B_k + 52$	$B_k + 90$	$B_k + 20$	$2 KR + 15$	$2 KR - 50$	$B_k - 10$	$B_k + 60$

Subject to change without notice.

MT series

XLT series

ROBOTRAX® System

FLATVEYOR®

CLEANVEYOR®

LS/LSX series

S/SX series

S/SX-Tubes series

Accessories

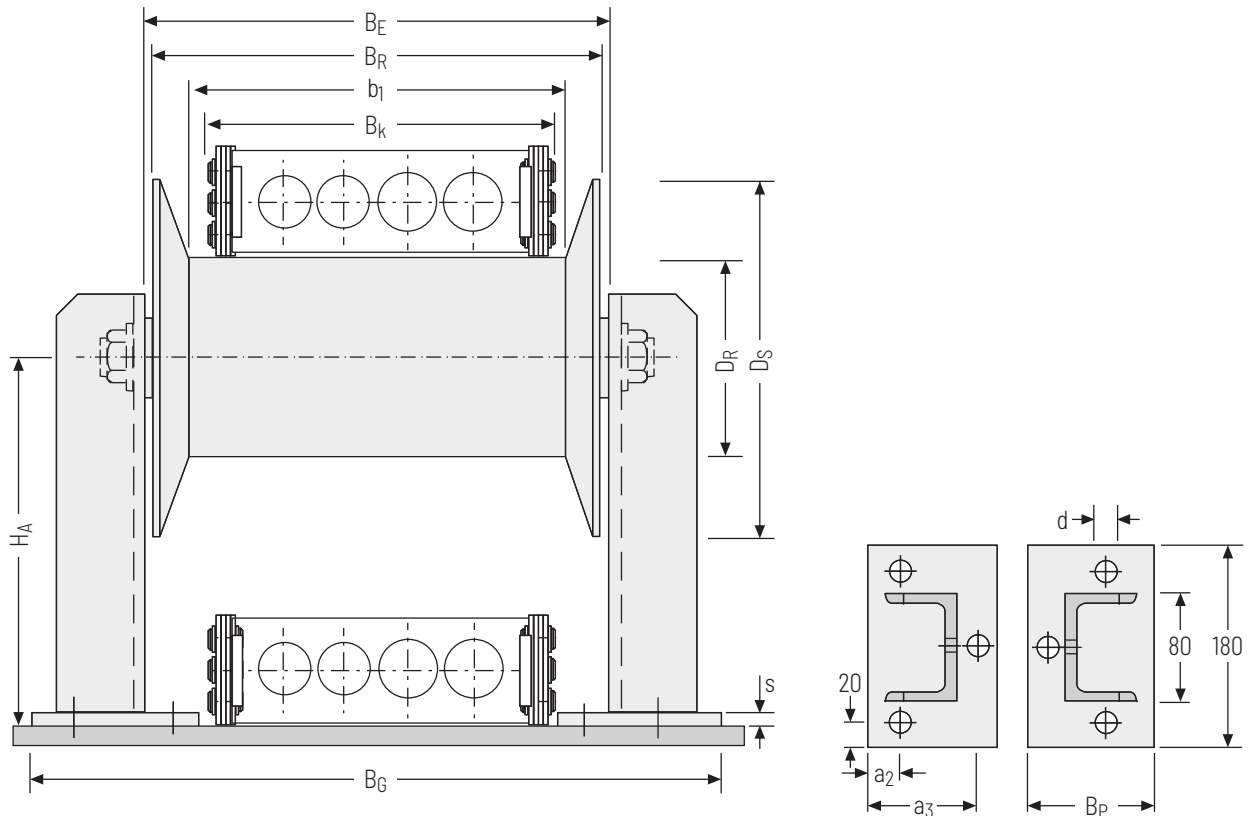
TRAXLINE®

Reinforced support rollers

Support rollers are designed to support the upper run of the cable carrier when the maximum unsupported length is exceeded.


KABELSCHLEPP® reinforced support rollers are available for the types LS/LSX 1050, S/SX 0650, S/SX 0950, S/SX 1250 and S/SX 1800.

- » Solid design for extreme strain
- » Long service life thanks to ball bearing rollers
- » With hard manganese steel wear protection for type S and applications with high strain
- » Also available in stainless steel
- » Also suitable for multi-band cable carriers



Dimension table for reinforced support rollers

Type	DR [mm]	b1 [mm]	BR [mm]	BE [mm]	BG [mm]	DS [mm]
LS/LSX 1050	120	B _k + 20	B _k + 50	B _k + 64	B _k + 174	Ø 200
S/SX 0650	90	B _k + 15	B _k + 45	B _k + 59	B _k + 169	Ø 170
S/SX 0950, S/SX 1250, S/SX 1800	120	B _k + 20	B _k + 50	B _k + 64	B _k + 174	Ø 200
S/SX 2500	220	B _k + 30	B _k + 60	B _k + 74	B _k + 184	Ø 300

 Diameter of support roller $D_R = 114$ mm, for standard stainless steel version. The axis height H_A has to be adapted accordingly.

Dimension table for support stands

Type	H _A [mm]	B _p [mm]	a ₂ [mm]	a ₃ [mm]	d [mm]	s [mm]
LS/LSX 1050	2 KR - 60	100	20	80	Ø 18	8
S/SX 0650	2 KR - 45	80	40	-	Ø 14	8
S/SX 0950, S/SX 1250, S/SX 1800	2 KR - 60	100	20	80	Ø 18	8
S/SX 2500	2 KR - 110	100	20	80	Ø 18	8



Subject to change without notice.

905

MT
series

XLT
series

ROBOTRAX®
System

FLATVEYOR®

CLEANVEYOR®

LS/LSX
series

S/SX
series

S/SX-Tubes
series

Accessories

TRAXLINE®